

Hellweg granulators hold *Pole-Position*



Hellweg Maschinenbau constructs machinery and equipment in its own production facilities, including especially setting up of systems for specific customer tasks, for customers in the plastics and recycling industries throughout the world. The production range covers machine-side mills, granulating mills, edge strip granulators, edge strip feeding equipment, film shredders, as well as extraction and dust removal plant including accessories.



Hellweg

www.cutting-mills.com



Suction plants

The Hellweg dust removal equipment serves to separate dust from regrind. The conveying fan blows the ground material into a separation cyclone. There, the ground material falls down with the dust. The fan air is taken upwards and cleaned in a suspended dust filter hose. The ground material and dust are separated in the pre-cleaner by means of the mounted dust blower. The dust-free ground material then falls further down into a suspended bag or into a box with a grid. The dust is separated in the dust cyclone that is mounted alongside and collected in a bag at the bottom. The exhaust air of the dust fan is also cleaned, by 2 filter bags.

- _ high output
- _ dust free grain
- _ 3 filter bags Ø 300 mm
- _ fast and easy to clean
- _ for filling in boxes, Big Bags, etc
- _ customer orientated construction

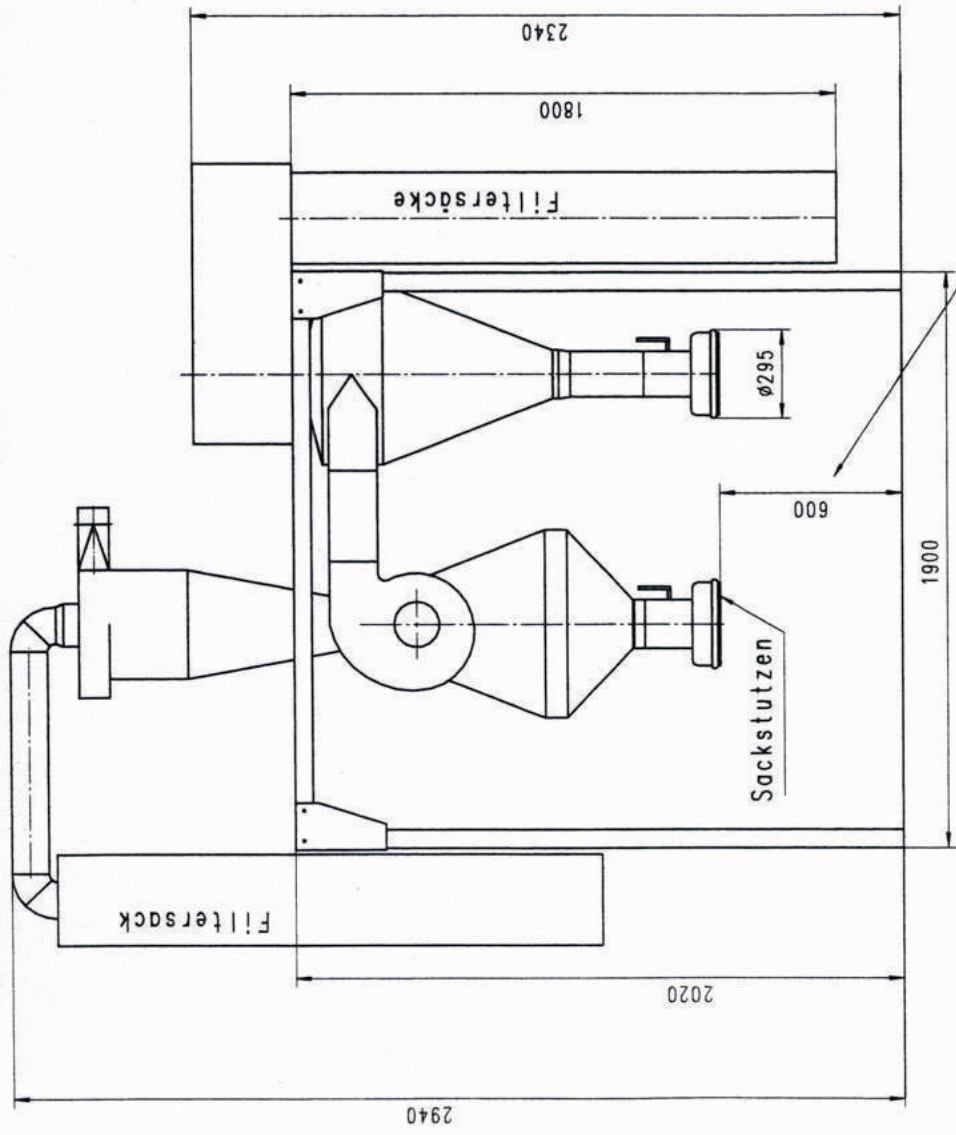


Test it !

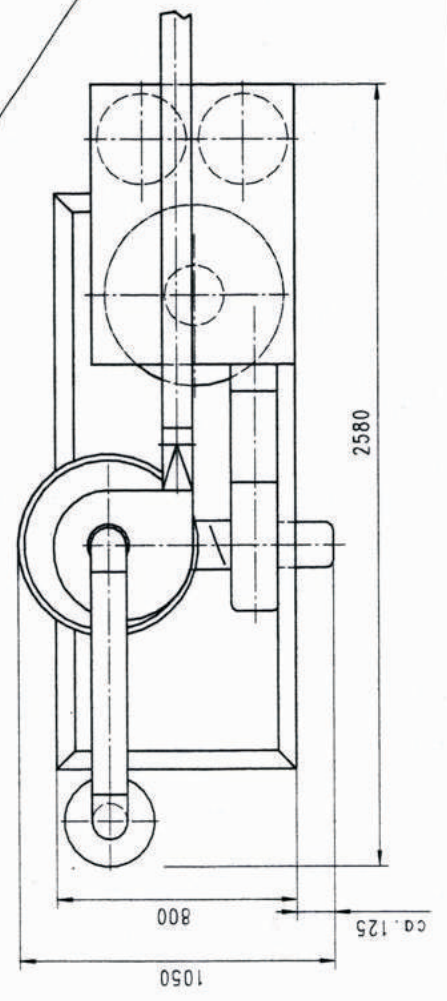
After a brief agreement, simply send us a sample of the material to be granulated. We will then select a suitable granulator for your application and carry out trial granulation. We will then receive the result returned in the form of granulate for your examination, without any obligation on your part.

Hellweg Maschinenbau GmbH & Co.KG
Vennstr. 10 · 52159 Roetgen / Germany
Fon +49 2471 4254 · Fax +49 2471 1630

info@hellweg-maschinenbau.de
www.hellweg-maschinenbau.de



Darstellung ist Standardausführung.
Berücksichtigen Sie bitte Ihre Gebindehöhe.



Pos.	Stück	Werkstoff	Abmaß	Bezeichnung / DIN						
		(Veränderungsbericht)	(Zul. Abw.) DIN 7188-m	Mößstab: 1:12,5 Gewicht: (Stückzahl) Entstaubungsanlage 300 KG-2-300-00 (Teilnummer) Entstaubungsanlage 300 KG-2-300-00 (Bezeichnung)						
Passung	Abmaß		<table border="1"> <tr> <td>Geht</td> <td>Kein</td> </tr> <tr> <td>Beib. für 200g</td> <td>Erhöht</td> </tr> <tr> <td>Spitz-Selbst</td> <td>für 200g</td> </tr> </table>	Geht	Kein	Beib. für 200g	Erhöht	Spitz-Selbst	für 200g	Entstaubungsanlage 300 KG
Geht	Kein									
Beib. für 200g	Erhöht									
Spitz-Selbst	für 200g									
				(Teilnummer) 910-500-2-300-00						
				(Erz.f.): (Erz.f.):						