



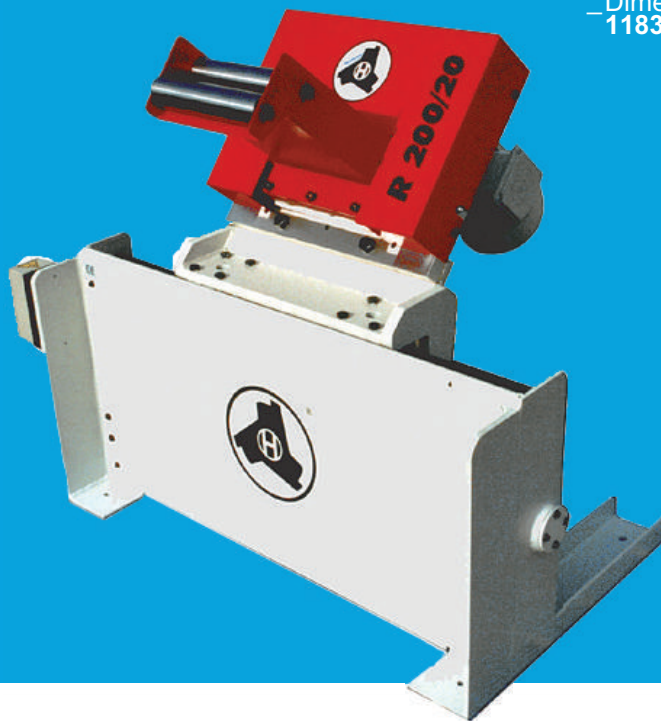
series R

Guillotine

- _ Working width 200 mm
- _ Material thickness up to 20 mm
- _ Cutting frequency 1 cut /s
- _ Motor output 2.2 kW
- _ Nominal weight appr. 205 kg
- _ Dimensions (WxLxH) 1183x678x934 mm

Some benefits:

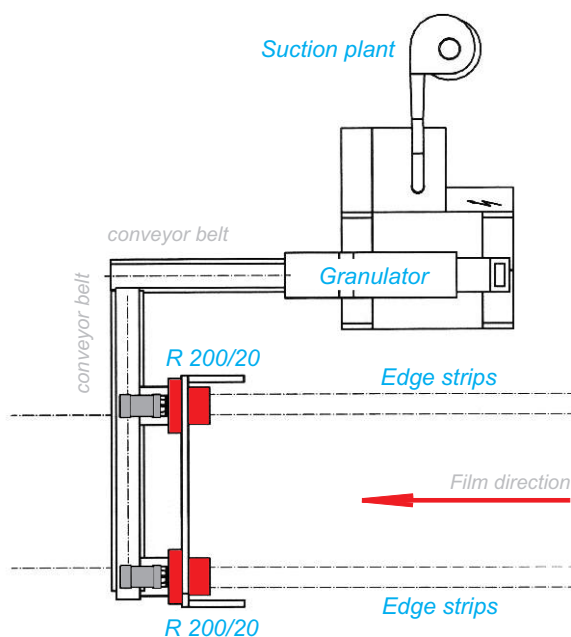
- _ extremely solid construction
- _ hardened knife support plate
- _ hardened long life excenter roll
- _ for film thicknesses up to 20 mm
- _ high performance gear drive
- _ special long life guides
- _ direct use at the production location
- _ designed for continuous 24h operation



R 200/20

Processing of film sealed edge strips: Profit generating side effect

Volume reduction of edge strips from cast film production



Edge strips arise during film production with seaming of the film. The Hellweg R 200/20 edge cutting equipment shreds the edge strips that are fed to it, from where they are passed to a granulator for further processing. The equipment can be optionally used for one or two edge strips. Special guides and a hardened knife support plate ensure long life.



Recycling plant after extrusion line

R 200/20 with standard rack

more >>



